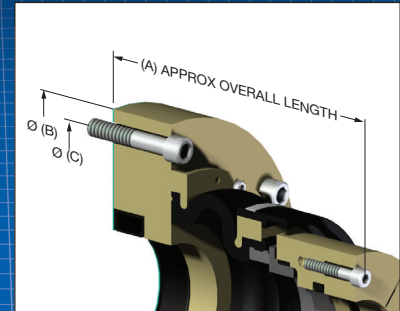
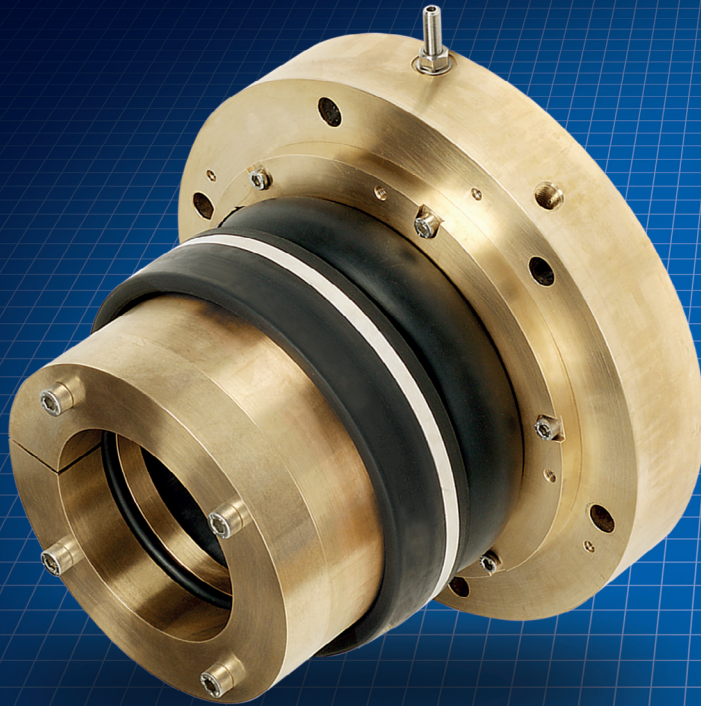


ENERGY
ENVIRONMENT
ECONOMY

THE PSE ENVIROGUARD SEAL



SHAFT	A	B	C
3	8.17	9.8	8.5
3.25	8.17	10.2	9
3.5	8.17	10.2	9
3.75	8.17	10.6	9.3
4	8.17	11	9.7
4.25	8.17	11	9.7
4.5	8.17	11.4	10.1
4.75	8.17	11.7	10.5
5	8.17	11.7	10.5
5.25	8.84	12.4	11
5.5	8.84	12.4	11
5.75	8.84	12.9	11.5
6	8.84	13.4	12
6.25	8.84	13.4	12
6.5	8.84	13.7	12.2
6.75	8.84	14.2	12.7
7	8.84	14.2	12.7
7.25	8.84	14.4	13
7.5	8.84	14.9	13.5
7.75	8.84	14.9	13.5
8	8.84	15.2	13.7
8.25	8.84	15.2	13.7
8.5	8.84	15.7	14.2
8.75	9.15	16.1	14.6
9	9.15	16.1	14.6
9.25	9.15	16.4	14.9
9.5	9.15	16.8	15.3
9.75	9.15	16.8	15.3
10	9.15	17.2	15.7

It is now over ten years since Wärtsilä launched the PSE Enviroguard seal to the market. In that time the PSE seal has established itself as the most cost effective, high quality shaft sealing solution for water lubricated installations. Originally developed for the inland waterways market the PSE is central to our drive for an environmental leadership and product reliability.

BENEFITS OF THE PSE ENVIROGUARD SEAL INCLUDE:

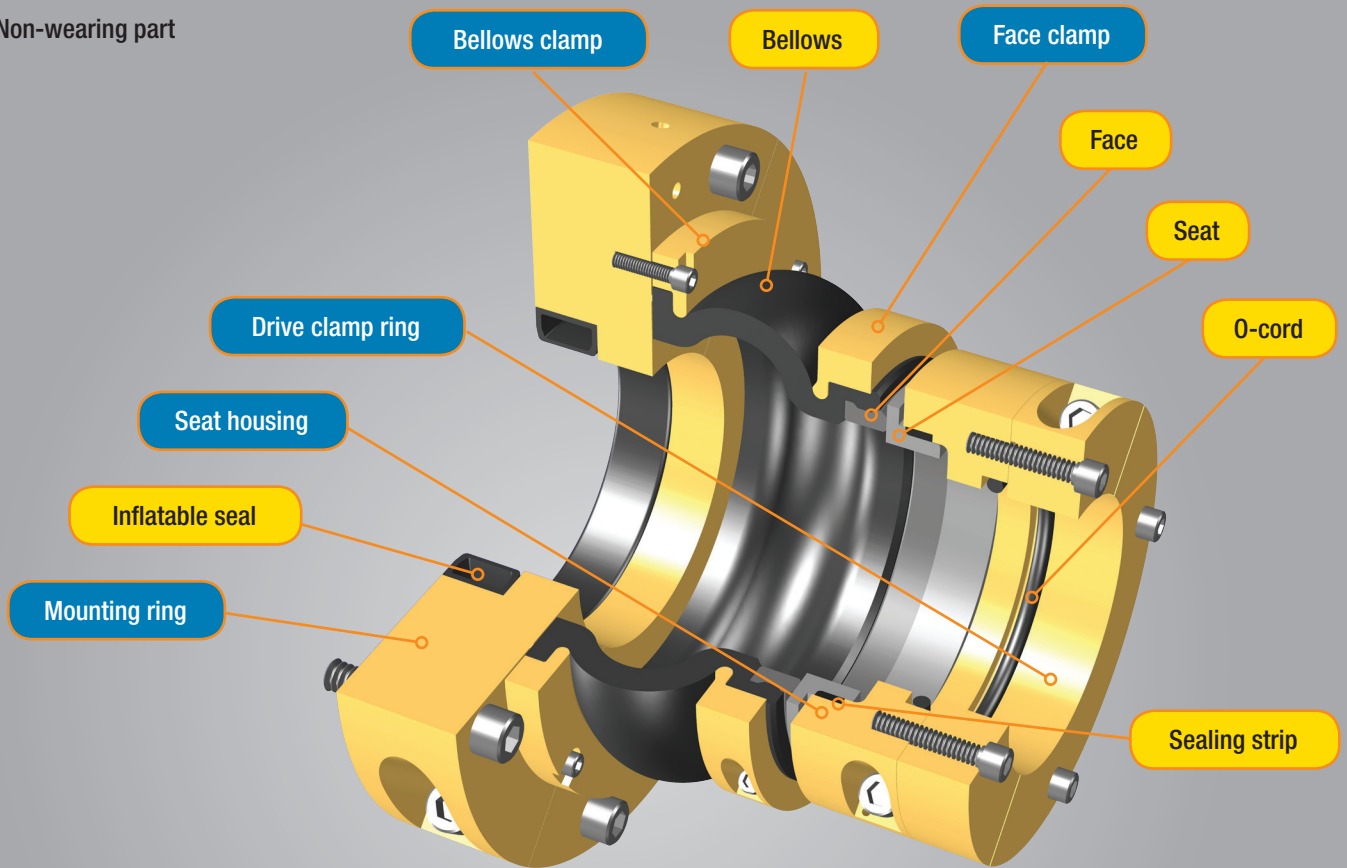
- Water lubricated = non-polluting
- Zero shaft wear
- High radial and axial shaft movement tolerance
- Fully serviceable with the shaft in situ
- Virtually maintenance free even in the harshest of operating conditions
- Available in sizes from 3" to 13"
- Fitted to over 300 vessels operating in the US

All units are in inches.

For larger sizes contact seals@wartsila.com

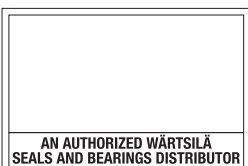


● Non-wearing part



Service kit A (All parts supplied fully split for service whilst shaft in situ)	Service kit B (All parts supplied non-split for service whilst shaft is withdrawn)	Service kit C (All parts supplied fully split for service whilst shaft is in situ)
–Silicon carbide face & seat –O-cord and sealing strip –Compression assembly tool	–Silicon carbide face & seat –O-cord and sealing strip –Bellows –Inflatable seal –Gasket –Splashguard –Splashguard clamp –Compression assembly tool	–Silicon carbide face & seat –O-cord and sealing strip –Bellows –Inflatable seal –Gasket –Splashguard –Splashguard clamp –Compression assembly tool

The Wartsilä Enviroguard range has a long track record of outstanding performance in all marine environments thanks to its exceptional build quality and design.



WÄRTSILÄ® is a registered trademark. Copyright © 2014 Wartsilä Corporation. Specifications are subject to change without prior notice.



WARTSILA.COM