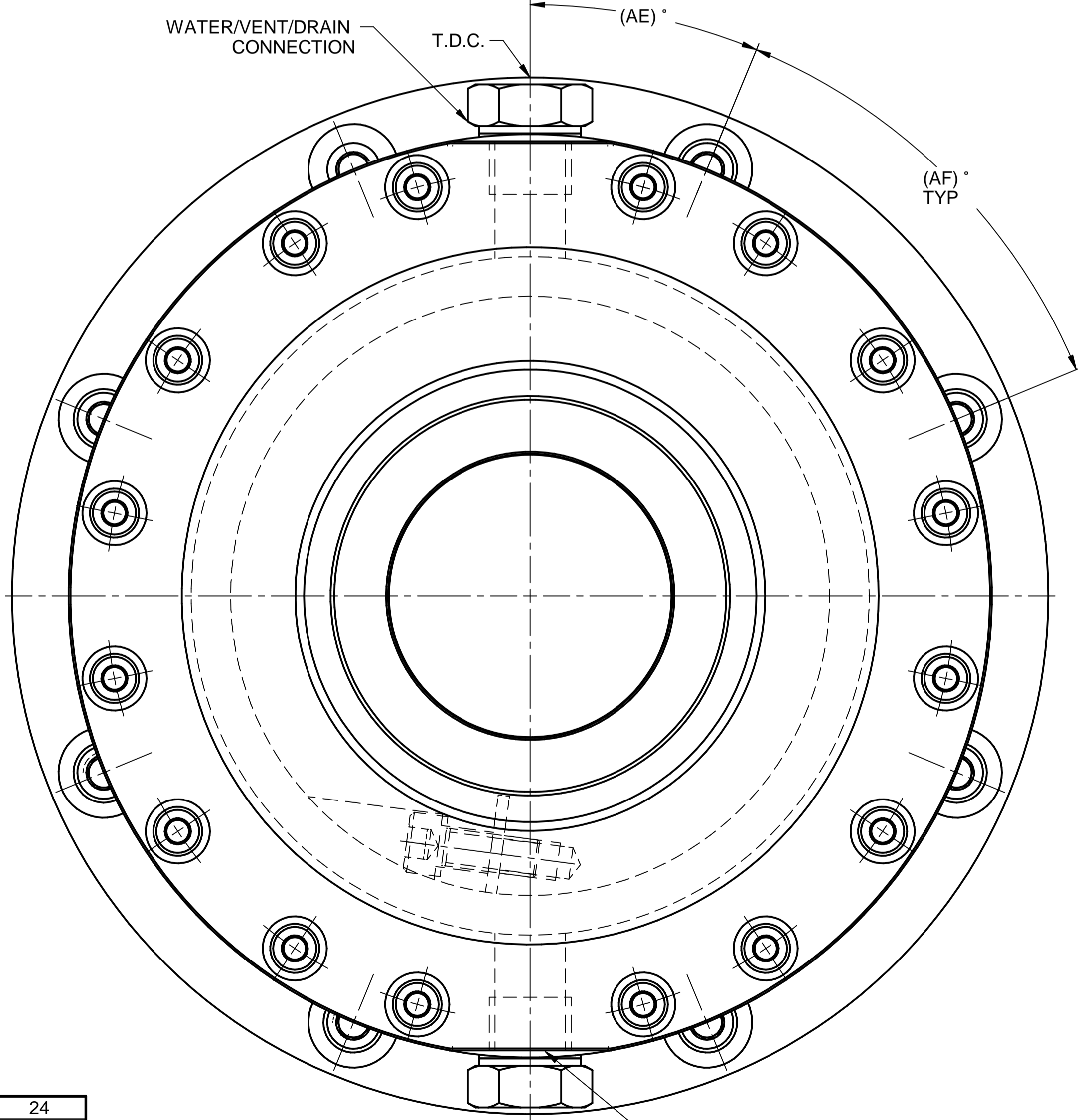
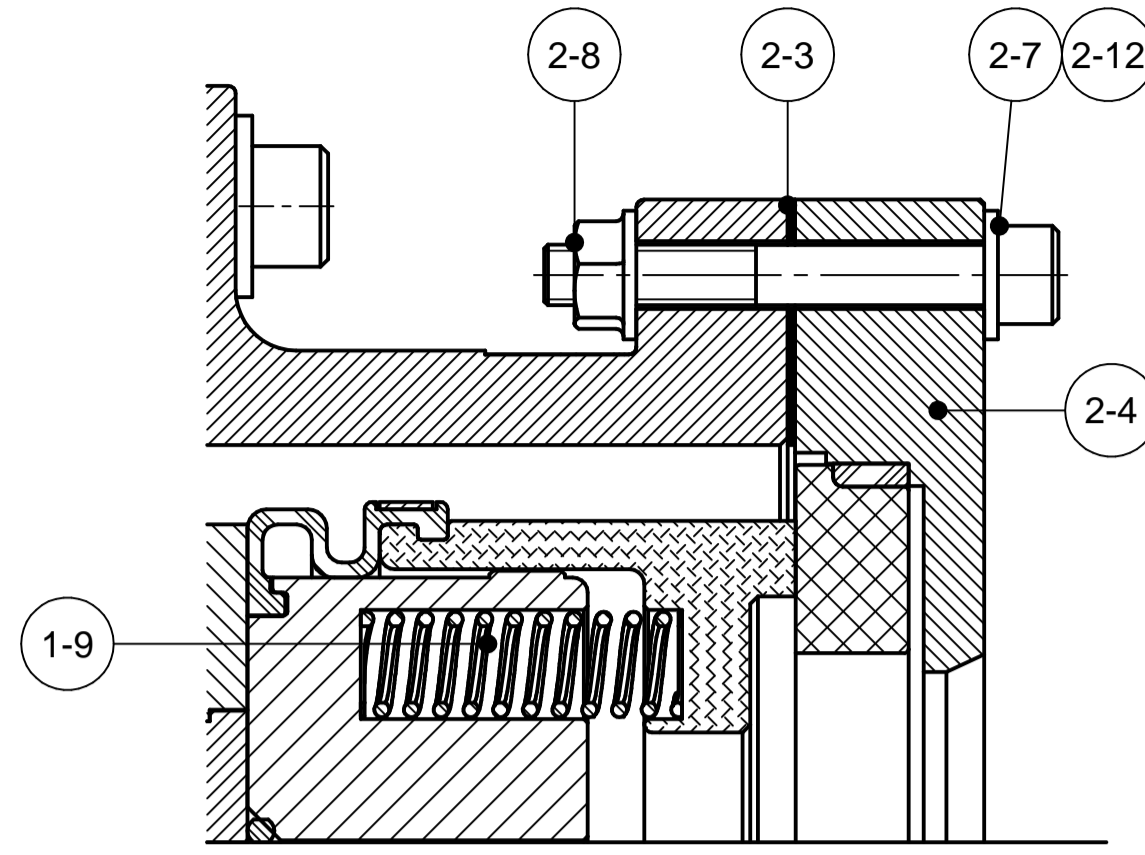


STANDARD SEAL SUPPLY

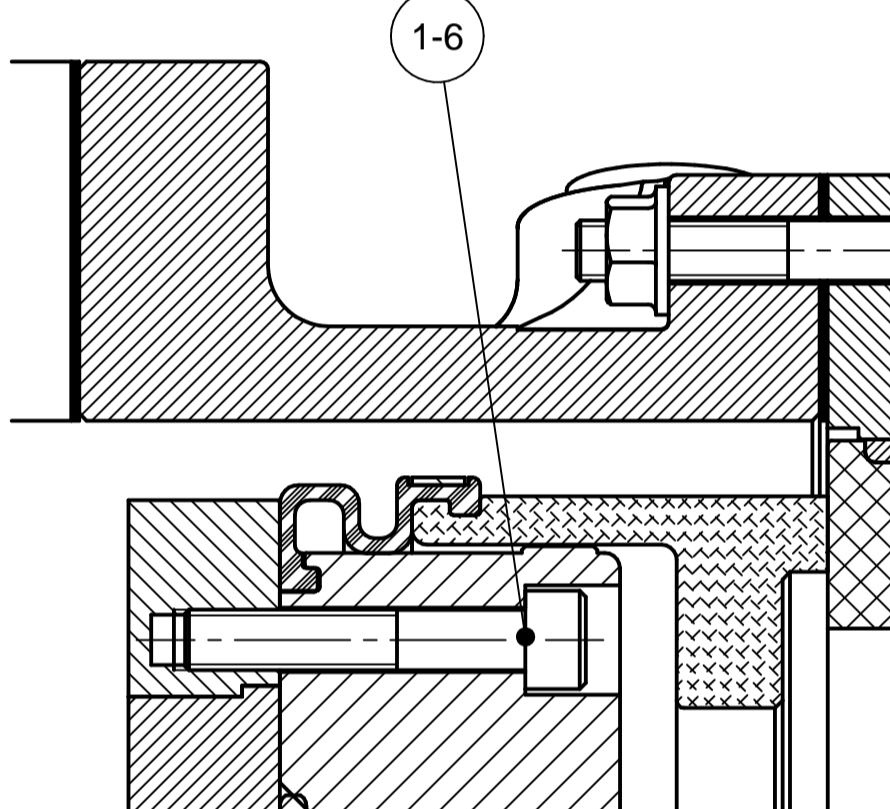


VIEW ON Z

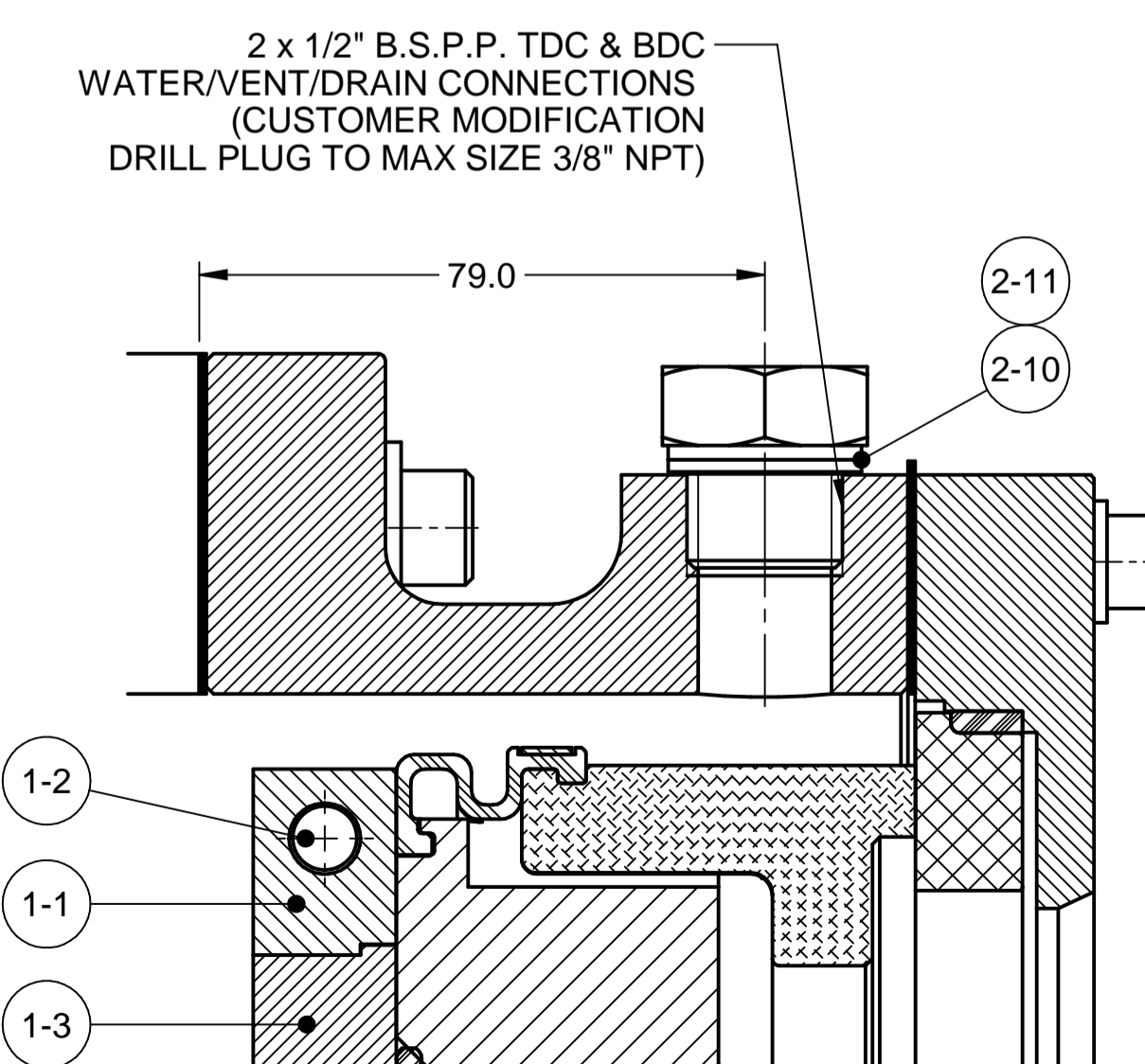
2-9	M10	24
2-7	M8	14
1-6	M8	14
1-2	M10	47
DRG POSn	THREAD METRIC	TORQUE Nm



SEAT PLATE FIXINGS & SPRINGS



SPRING HOLDER FIXINGS



CONNECTIONS

DRAWING POSn	DESCRIPTION	MATERIAL	QTY
H31381 -1	FACE/CARRIER CLAMP ASSY		1
-1-1	DRIVE CLAMP RING	PHOSPHOR BRONZE	1 (A)
-1-2	SCREW	MONEL	SEE TABLE 2
-1-3	DCR SPACER	PHOSPHOR BRONZE	1
-1-4	O CORD	CHLOROPRENE (NEOPRENE)	1
-1-5	SPRING HOLDER	NYLON	1 (B)
-1-6	SCREW	STAINLESS STEEL	SEE TABLE 2
-1-7	BELLOWS	CHLOROPRENE (NEOPRENE)	1 (C)
-1-8	BELLOWS CLIP	ST. STEEL	SEE TABLE 2 (D)
-1-9	SPRING	ELGILOY	SEE TABLE 2
-1-10	FACE/CARRIER	COMPOSITE	1
H31381 -2	SEAL HOUSING ASSY		1
-2-1	SEAL HOUSING	NYLON	1
-2-2	JOINT	COMPOSITE	1
-2-3	JOINT	COMPOSITE	1
-2-4	SEAT PLATE	NYLON	1
-2-5	SEAT	SILICON CARBIDE	1
-2-6	SEALING STRIP	CHLOROPRENE (NEOPRENE)	1 (E)
-2-7	SCREW	STAINLESS STEEL	SEE TABLE 2 (E)
-2-8	FLANGE NUT	STAINLESS STEEL	SEE TABLE 2 (F)
-2-9	SCREW	STAINLESS STEEL	SEE TABLE 2
-2-10	PLUG	STAINLESS STEEL	2
-2-11	WASHER	VULCANISED FIBRE	2
-2-12	WASHER	STAINLESS STEEL	SEE TABLE 2 (E)
-2-13	WASHER	STAINLESS STEEL	SEE TABLE 2 (F)

SEE SHEET 3 FOR OPTIONAL EXTRAS

### INSTALLATION

CLASSIFICATION:	1ST ANGLE:	ACCESS CODE:	OWNER:	YARD:	CUSTOMER:
FLUIDS:		6			
INTERNAL	SEA WATER		VESSEL NAME:	USED ON:	REF/FUNC. LOC.:
EXTERNAL	AIR				
INTERNAL	MIN	NOM	MAX	DRAWN BY:	CHECKED BY:
EXTERNAL	0	0.3	0.6	R. BARTON	B. PIGGOTT
DIFFERENTIAL	N/A	N/A	N/A	DRAWN DATE:	DATE REVISED:
				5 MAY 2016	
SHAFT MOVEMENTS:					
AXIAL INBOARD, mm	N/A	0.5	6	SEAL CODE/BASED ON:	
AXIAL OUTBOARD, mm	N/A	0.5	6	TD-17215	
RADIAL, mm	N/A	1	5	TITLE:	
ANGULAR, °	N/A	0.5	5	TABULATED 75 - 279mm / 3 - 12"	
SHAFT SPEED, RPM	SEE TABLE 3			ENVIROGUARD SLR TYPE SEAL	
TEMPERATURE, °C:				SIZE:	
INTERNAL	0	20	40	A1	DRAWING NUMBER:
EXTERNAL	-10	20	60	H31381	REV:
					A



Wärtsilä UK Ltd., 4, Marples Way, Havant, Hampshire, PO9 1NX, UK  
 The information contained in this document is the property of Wärtsilä UK Ltd and must not be disclosed without written consent. Title to information is neither sold or transferred and document is subject to return upon demand. Values in this document are not binding. Right of alteration reserved.  
 © 2016  
 Registered Number: 1004816  
 Registered Office: Wärtsilä UK Ltd., Havant, Hampshire, UK

**TABLE 1**

Seal size Metric mm	Shaft size Metric mm	Seal size Imperial "	Shaft size Imperial "	AA Ø SEAL SHAFT	AB Ø SEAL BORE	AC Ø SEAL O/D	AD Ø MOUNTING PDC	AE ° 1st MOUNTING HOLE FROM T.D.C	AF ° TYP MOUNTING HOLE PITCH	AG Ø INFLATABLE BORE	AH Ø INFLATABLE & SAFETY PLATE O/D	STANDARD SEAL SUPPLY WEIGHT Kg	OPTIONAL INFLATABLE ASSY WEIGHT Kg	OPTIONAL BUNG WEIGHT Kg	OPTIONAL SAFETY PLATE WEIGHT Kg
75	75-102 Max	3 - 4	2.95 - 4.01 Max	75	180	275	245	22.5	45	112	300	7.8	31.2	1.1	22.4
101	101-128 Max	4 - 5	3.97 - 5.03 Max	101	206	301	271	18	36	138	326	10.2	34.9	1.4	25.4
127	127-154 Max	5 - 6	5.00 - 6.06 Max	127	232	327	297	18	36	164	352	11.5	38.7	1.6	28.4
152	152-179 Max	6 - 7	5.98 - 7.04 Max	152	257	352	322	15	30	189	377	12.9	42.3	1.8	31.3
177	177-204 Max	7 - 8	6.96 - 8.03 Max	177	282	377	347	12.9	25.7	214	402	14.4	45.9	2.1	34.2
202	202-229 Max	8 - 9	7.95 - 9.01 Max	202	307	402	372	12.9	25.7	239	427	15.7	49.5	2.3	37.1
228	228-255 Max	9 - 10	8.97 - 10.03 Max	228	333	428	398	12.9	25.7	265	453	17.1	53.3	2.5	40.1
254	254-281 Max	10 - 11	10.00 - 11.06 Max	254	359	454	424	11.3	22.5	291	479	18.6	57.0	2.8	43.1
279	279-306 Max	11 - 12	10.98 - 12.04 Max	279	384	479	449	11.3	22.5	316	504	19.9	60.6	3.0	46.0

INFORMATION TAKEN FROM TD-17215

**TABLE 2**

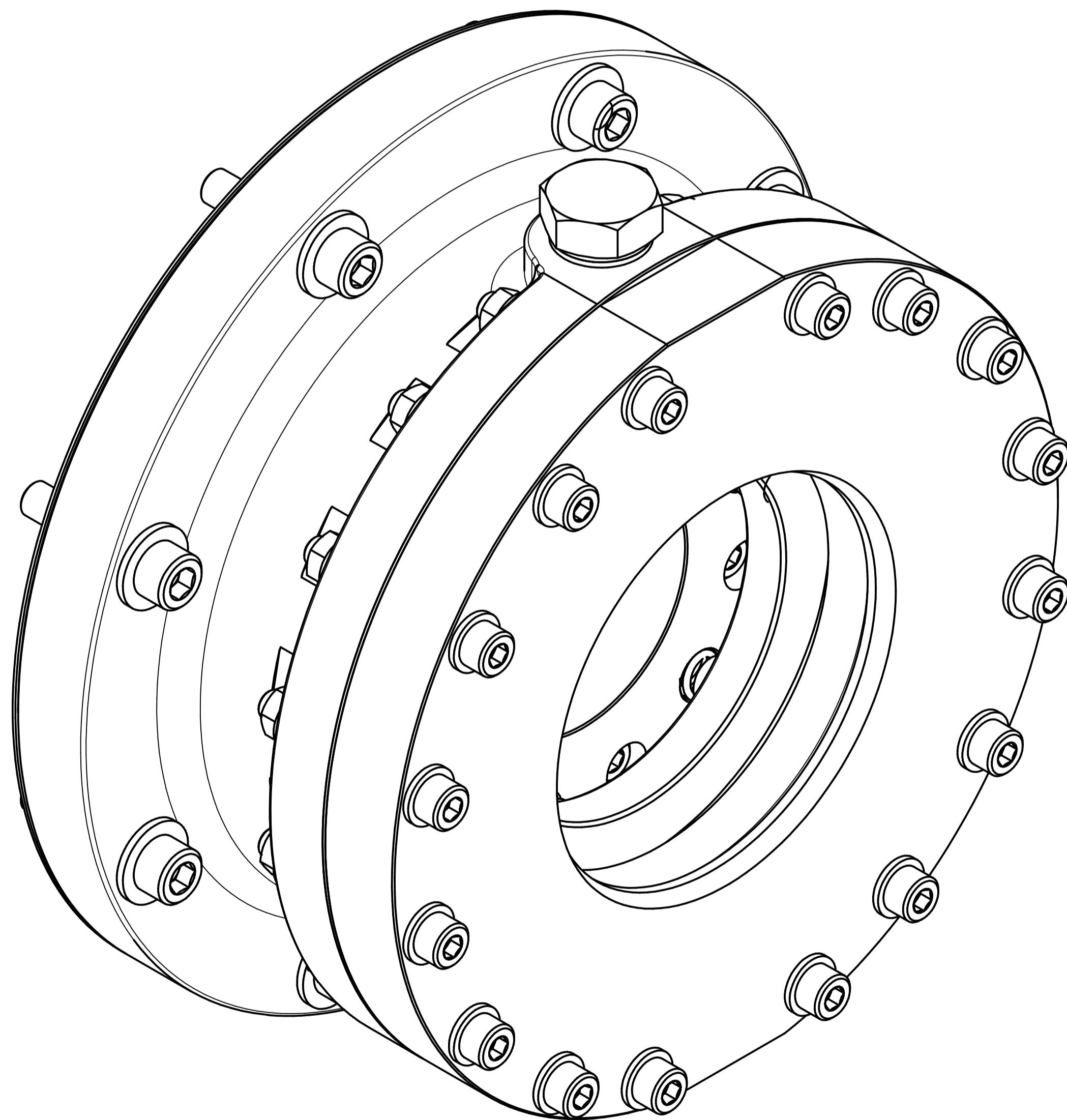
Seal size Metric mm	Shaft size Metric mm	Seal size Imperial "	Shaft size Imperial "	(A) QTY -1-2	(B) QTY -1-6	(C) QTY -1-8	(D) QTY -1-9	(E) QTY -2-7, -2-8 & -2-12	(F) QTY -2-9 & -2-13	(G) QTY -3-4
75	75-102 Max	3 - 4	2.95 - 4.01 Max	1	6	1	6	16	8	8
101	101-128 Max	4 - 5	3.97 - 5.03 Max	1	8	2	8	16	10	8
127	127-154 Max	5 - 6	5.00 - 6.06 Max	1	8	2	8	16	10	8
152	152-179 Max	6 - 7	5.98 - 7.04 Max	1	10	2	10	16	12	8
177	177-204 Max	7 - 8	6.96 - 8.03 Max	1	10	2	10	20	14	8
202	202-229 Max	8 - 9	7.95 - 9.01 Max	1	12	2	12	20	14	10
228	228-255 Max	9 - 10	8.97 - 10.03 Max	2	14	2	14	24	14	10
254	254-281 Max	10 - 11	10.00 - 11.06 Max	2	14	2	14	24	16	12
279	279-306 Max	11 - 12	10.98 - 12.04 Max	2	16	3	16	24	16	12

INFORMATION TAKEN FROM TD-17215

**TABLE 3**

Seal size Metric mm	Shaft size Metric mm	Seal size Imperial "	Shaft size Imperial "	Max RPM
75	75-102 Max	3 - 4	2.95 - 4.01 Max	775
101	101-128 Max	4 - 5	3.97 - 5.03 Max	665
127	127-154 Max	5 - 6	5.00 - 6.06 Max	570
152	152-179 Max	6 - 7	5.98 - 7.04 Max	505
177	177-204 Max	7 - 8	6.96 - 8.03 Max	455
202	202-229 Max	8 - 9	7.95 - 9.01 Max	415
228	228-255 Max	9 - 10	8.97 - 10.03 Max	380
254	254-281 Max	10 - 11	10.00 - 11.06 Max	350
279	279-306 Max	11 - 12	10.98 - 12.04 Max	325

INFORMATION TAKEN FROM TD-17215



STANDARD SUPPLY ISOMETRIC VIEW  
SEAL SIZE 75 SHOWN

**STANDARD SUPPLY NOTES.**

1. ALL DIMENSIONS IN mm UNLESS OTHERWISE STATED.
2. SEAL COMPRESSION DIMENSION IS 8mm SEE VIEW STANDARD SEAL SUPPLY.
3. DCR SPACER -1-3 & SPRING HOLDER -1-5 ARE STOCKED AT MIN SHAFT SIZE & MUST BE MACHINED TO INSTALLATION SHAFT SIZE AS PER TECHNICAL MANUAL.
4. O-CORD ITEM -1-4 IS STOCKED AT MAX SHAFT SIZE & MUST BE CUT TO LENGTH AS PER TECHNICAL MANUAL.
5. ALL ITEMS INCLUDING OPTIONAL EXTRAS ARE SUPPLIED NON SPLIT.
6. THE MASS VALUE SHOWN IS NOT CONTRACTUALLY BINDING.
7. CUSTOMER TO REFER TO BEARING MANUFACTURER FOR BEARING COOLING FLOW RATES.
8. FOR FACTORY TEST ACCEPTANCE CRITERIA SEE T.D.S.

**INSTALLATION**

CLASSIFICATION:	1ST ANGLE:	ACCESS CODE:	OWNER:	YARD:	CUSTOMER:
FLUIDS:	SEA WATER	6			
INTERNAL	AIR				
EXTERNAL	MIN NOM MAX				
PRESSURES, BAR:	INTERNAL	0 0.3 0.6			
EXTERNAL	N/A N/A N/A				
DIFFERENTIAL	N/A N/A N/A				
SHAFT MOVEMENTS:	AXIAL INBOARD, mm	N/A 0.5 6			
AXIAL OUTBOARD, mm	N/A 0.5 6				
RADIAL, mm	N/A 1 5				
ANGULAR, °	N/A 0.5 5				
SHAFT SPEED, RPM	SEE TABLE 3				
TEMPERATURE, °C:	INTERNAL	0 20 40			
EXTERNAL	-10 20 60				

Wärtsilä UK Ltd., 4, Marples Way,  
Havant, Hampshire, PO9 1NX, UK

The information contained in this document is the property of Wärtsilä UK Ltd and must not be disclosed without written consent. Title to information is neither sold or transferred and document is subject to return upon demand. Values in this document are not binding. Right of alteration reserved.  
© 2016  
Registered Number: 1004816  
Registered Office: Wärtsilä UK Ltd., Havant, Hampshire, UK

VESSEL NAME:	USED ON:	REF/FUNC. LOC.:
DRAWN BY:	CHECKED BY:	MAX. MASS:
R. BARTON	B. PIGGOTT	SEE TABLE
DRAWN DATE:	DATE REVISED:	SHEET:
5 MAY 2016		2 OF 3

SEAL CODE/BASED ON: TD-17215

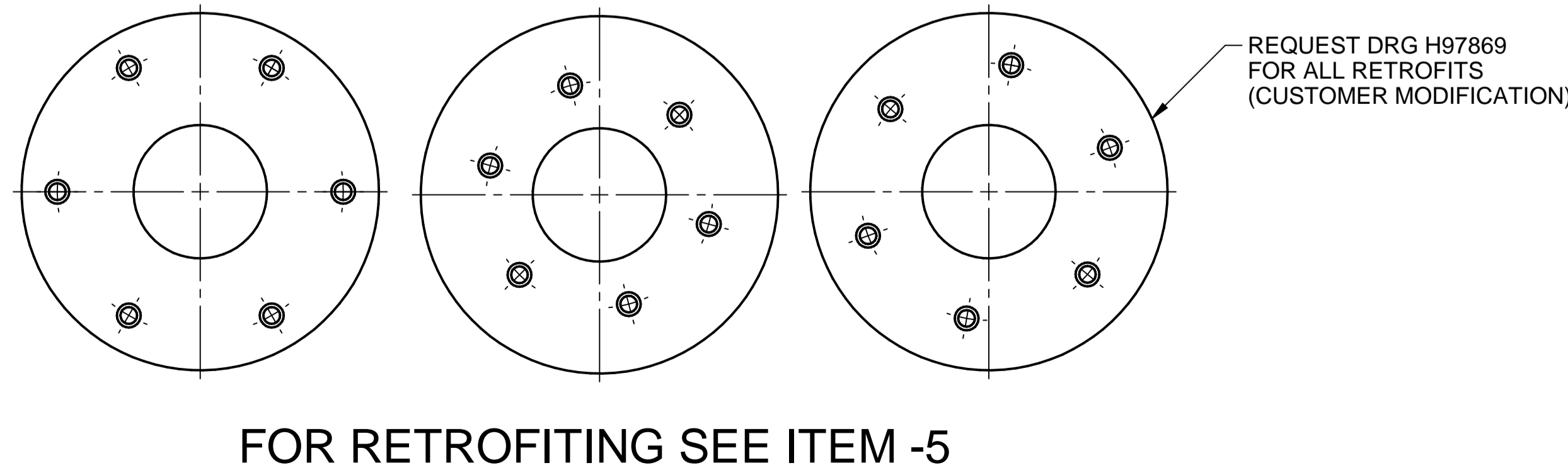
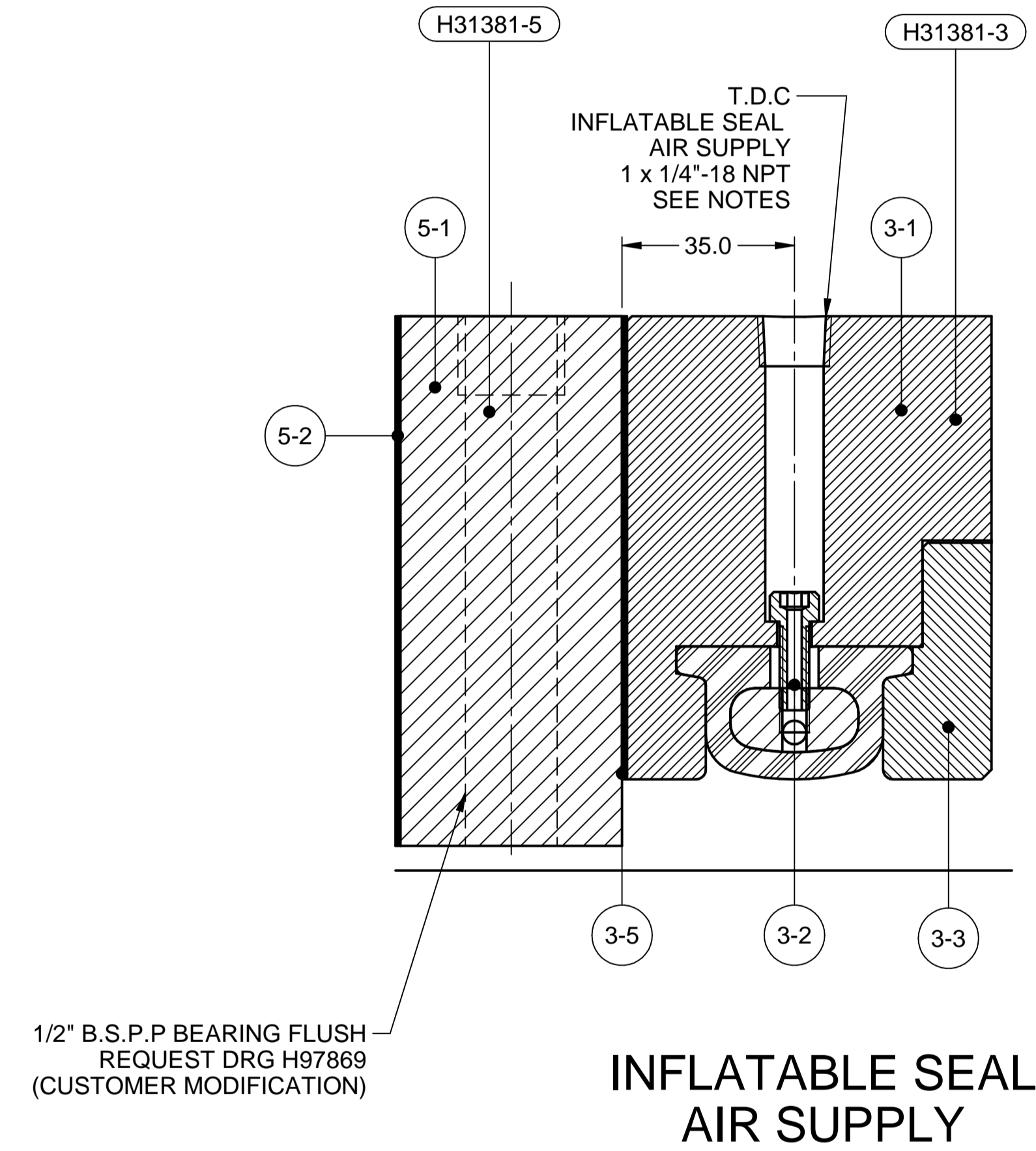
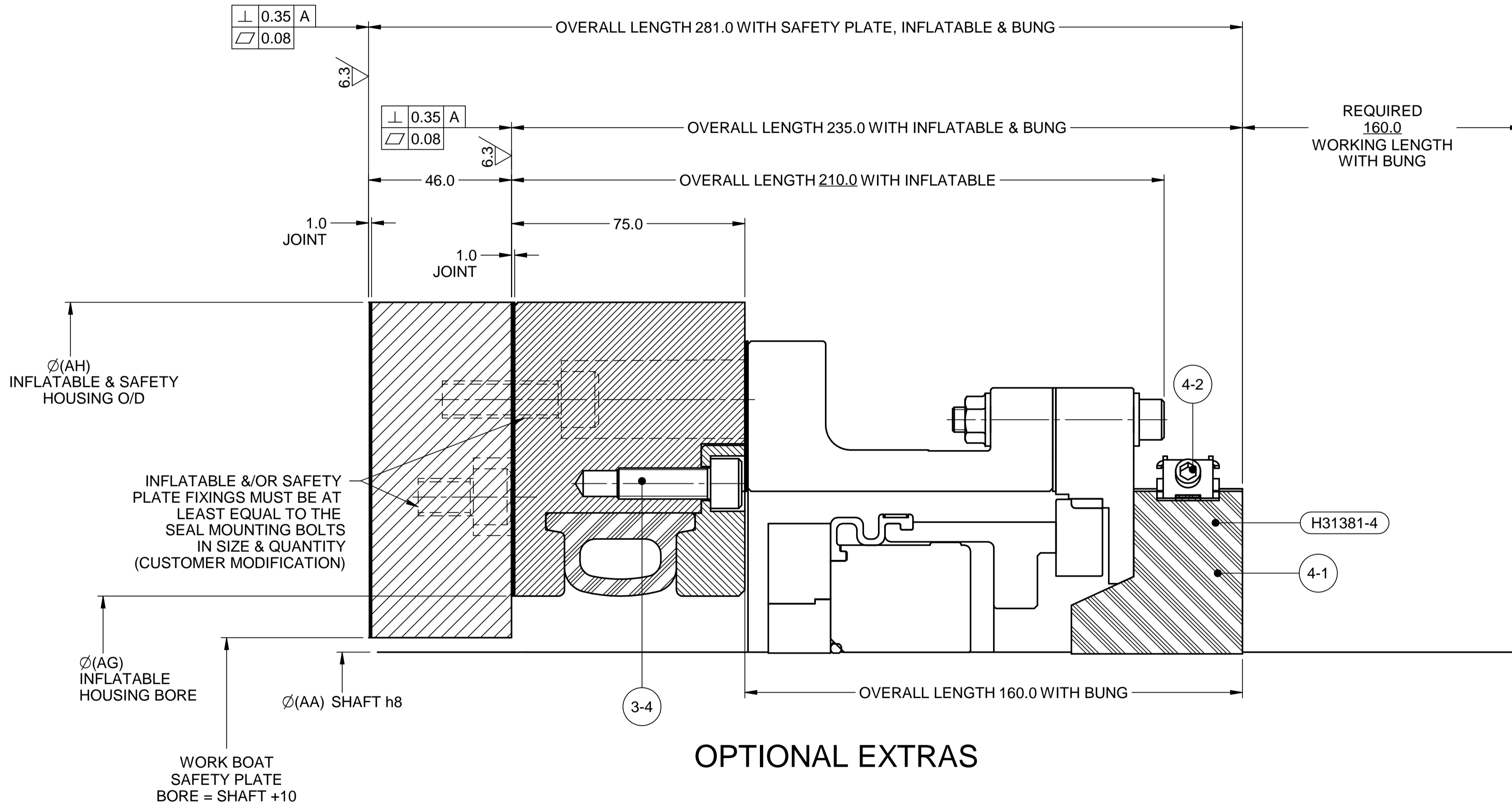
TITLE: TABULATED 75 - 279mm / 3 - 12"  
ENVIROGUARD SLR TYPE SEAL

SIZE: A1 DRAWING NUMBER: H31381 REV: A

**OPTIONAL INFLATABLE SEAL NOTES**

1. MAXIMUM INFLATABLE SEAL PRESSURE = 6BAR.
2. SEAL ASSEMBLY TO BE VENTED ACCORDING TO TECHNICAL MANUAL.
3. VENT INFLATABLE SEAL TO ATMOSPHERE WHEN NOT IN USE.
4. INFLATABLE SEAL TO BE USED FOR EMERGENCY/MAINTENANCE PURPOSES ONLY. SHAFT MUST NOT BE ROTATED WHEN INFLATABLE SEAL IS ACTIVATED.

OPTIONAL EXTRAS			
DRAWING POSn	DESCRIPTION	MATERIAL	QTY
H31381 -3	INFLATABLE ADAPTOR PLATE ASSY	OPTIONAL EXTRA A	
-3-1	INFLATABLE ADAPTOR PLATE	ALUMINIUM BRONZE	1
-3-2	INFLATABLE SEAL	CHLOROPRENE (NEOPRENE)	1
-3-3	TRAP PLATE	ALUMINIUM BRONZE	1
			(G)
-3-4	SCREW	STAINLESS STEEL	SEE TABLE 2
-3-5	JOINT	COMPOSITE	1
H31381 -4	EMERGENCY BUNG ASSY	OPTIONAL EXTRA B	
-4-1	EMERGENCY BUNG	CHLOROPRENE (NEOPRENE)	1
-4-2	JUBILEE CLIP	ST. STEEL	1
H31381 -5	SAFETY RETROFIT BEARING FLUSH PLATE	OPTIONAL EXTRA C	
-5-1	BLANK PLATE	ALUMINIUM BRONZE	1
-5-2	BLANK JOINT	COMPOSITE	1



3-4	M8	19
DRG POSn	THREAD METRIC	TORQUE Nm

CLASSIFICATION:	1ST ANGLE:	ACCESS CODE:	OWNER:	YARD:	CUSTOMER:
FLUIDS:		6			
INTERNAL	SEA WATER		VESSEL NAME:	USED ON:	REF/FUNC. LOC.:
EXTERNAL	AIR				
INTERNAL	MIN	NOM	MAX	DRAWN BY:	CHECKED BY:
EXTERNAL	0	0.3	0.6	R. BARTON	B. PIGGOTT
DIFFERENTIAL	N/A	N/A	N/A	DRAWN DATE:	DATE REVISED:
	N/A	N/A	N/A	5 MAY 2016	
SHAFT MOVEMENTS:					SHEET:
AXIAL INBOARD, mm	N/A	0.5	6		3 OF 3
AXIAL OUTBOARD, mm	N/A	0.5	6		
RADIAL, mm	N/A	1	5		
ANGULAR, °	N/A	0.5	5		
SHAFT SPEED, RPM	SEE TABLE 3				
TEMPERATURE, °C:					
INTERNAL	0	20	40		
EXTERNAL	-10	20	60		

Wärtsilä UK Ltd., 4, Marples Way, Havant, Hampshire, PO9 1NX, UK

The information contained in this document is the property of Wärtsilä UK Ltd and must not be disclosed without written consent. Title to information is neither sold or transferred and document is subject to return upon demand. Values in this document are not binding. Right of alteration reserved.

© 2016  
Registered Number: 1004816  
Registered Office: Wärtsilä UK Ltd., Havant, Hampshire, UK

TITLE:	TABULATED 75 - 279mm / 3 - 12" ENVIROGUARD SLR TYPE SEAL
SIZE:	A1
DRAWING NUMBER:	H31381
REV:	A